

Dimensions	
LOA	10,30 m
LWL (Sailing)	9,50 m
BOA	3,14 m
Draft	2,00 m
Displacement app.	2,90 T
Keel weight app.	1,20 T
Sailarea app.	70,00 m <sup>2</sup>
BWL	2,50 m

HP1030

SWE145

P=13500

I=13500

E=4750

J=3700



CDE Danish Marine Design ApS

WWW.ARCHITECTURE AND MARINE ENGINEERING  
 Wilders Plads 8A  
 DK 1405 Copenhagen K

tel : +45 3296 8044  
 mob : +45 2811 8042  
 fax : +45 3296 8045  
 www.cde-wild.com

Rev : 2007.09.27

Dwg : 145.91.01

Scale : 1:30

Project : HP 1030 Sailplan

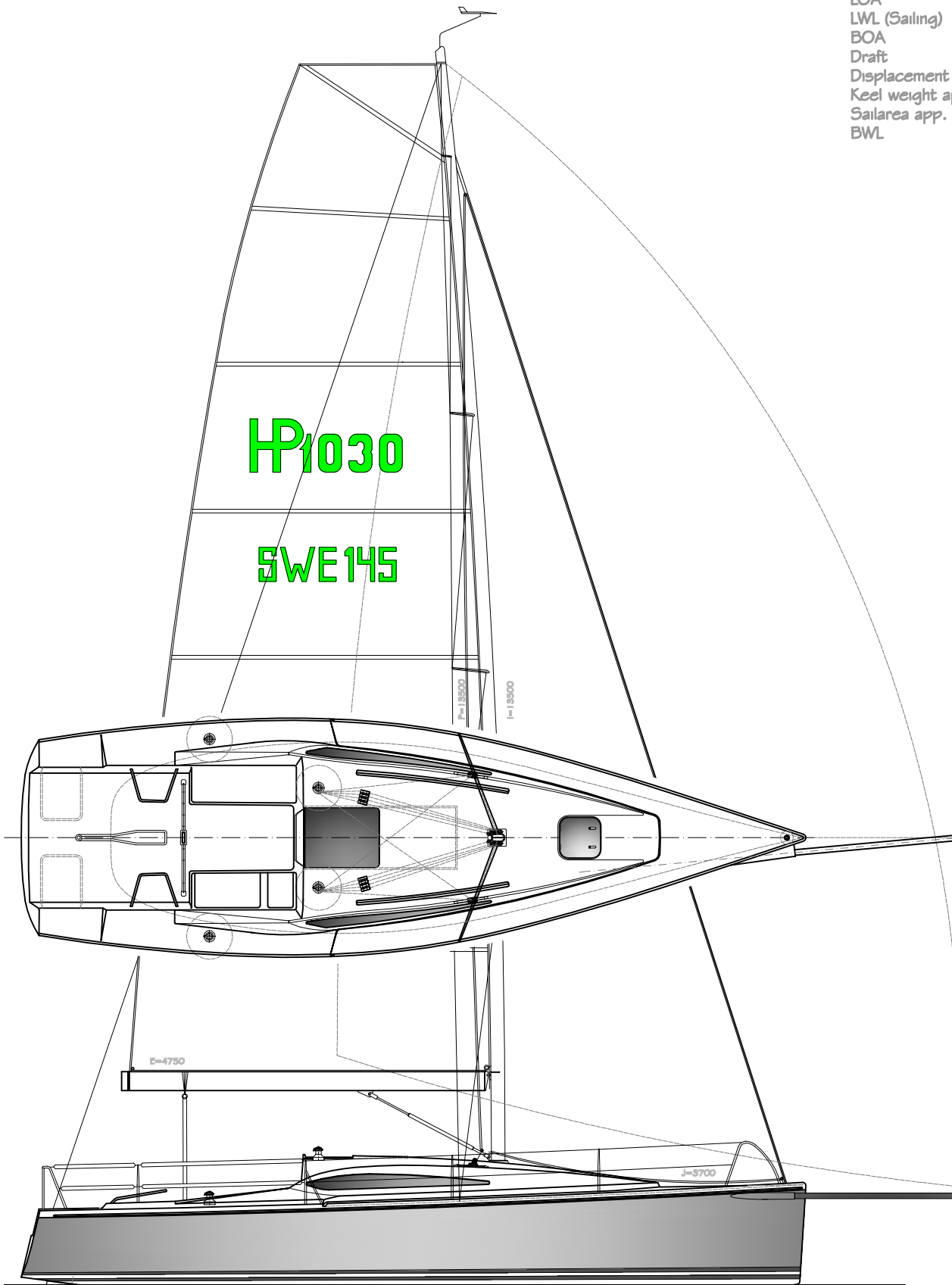
Date : 2007.09.21

Subject : General Arrangement

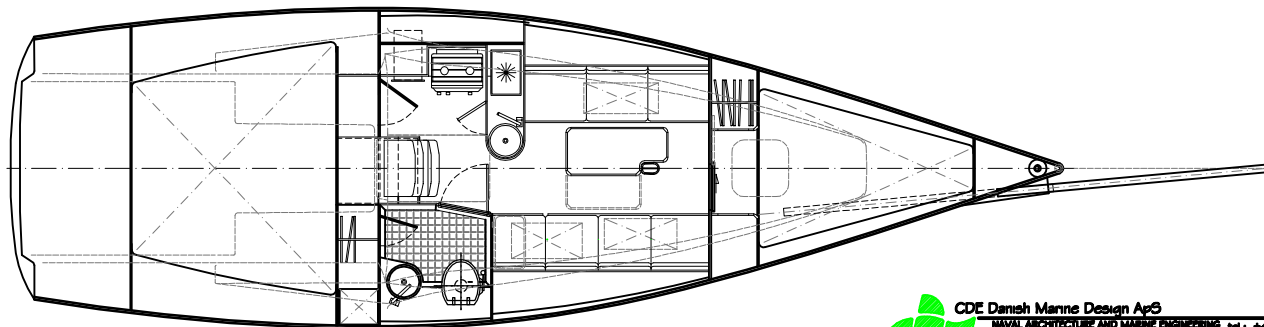
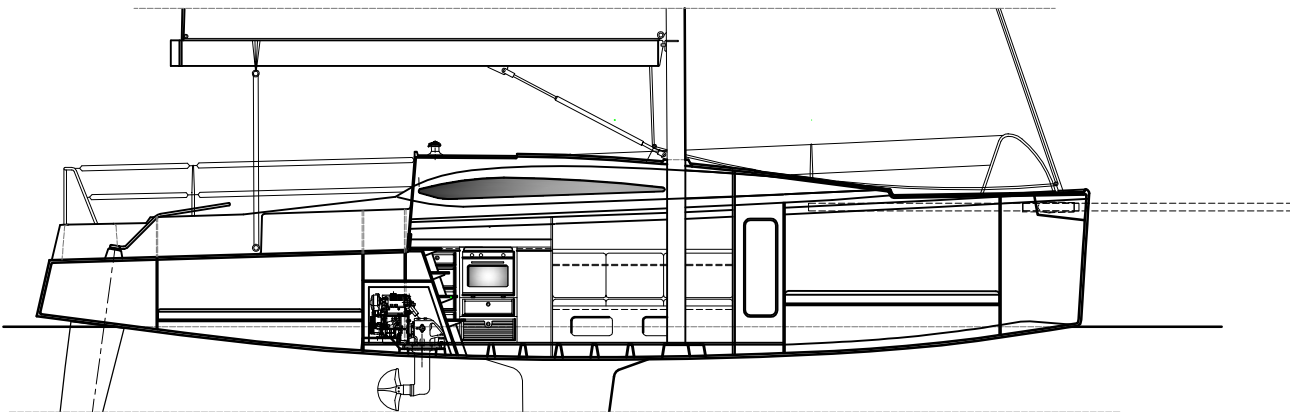
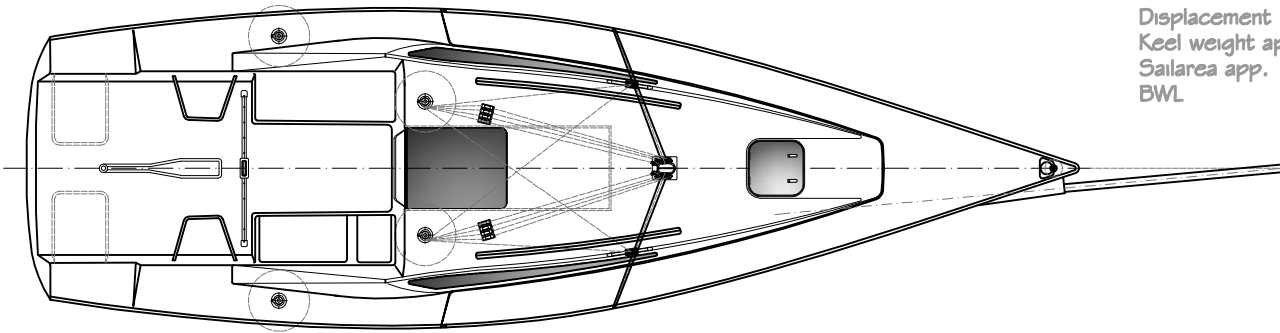
Sign : J Værn/TO/tp

© Danish Marine Design ApS

Dimensions	
LOA	10,30 m
LWL (Sailing)	9,50 m
BOA	3,14 m
Draft	2,00 m
Displacement app.	2,90 T
Keel weight app.	1,20 T
Sailarea app.	70,00 m <sup>2</sup>
BWL	2,50 m



Dimensions	
LOA	10,30 m
LWL (Sailing)	9,50 m
BOA	3,14 m
Draft	2,00 m
Displacement app.	2,90 T
Keel weight app.	1,20 T
Sailarea app.	70,00 m <sup>2</sup>
BWL	2,50 m



Dwg : 145.91.02  
HP 1030



CDE Danish Marine Design ApS  
NAVAL ARCHITECTURE AND MARINE ENGINEERING  
Walders Plads 8A  
DK 1405 Copenhagen K  
tel : +45 3296 8044  
mob: +45 2811 8043  
fax : +45 3296 8048  
www.cde-dmd.com

Rev : 2007.09.27  
Dwg : 145.91.02  
Scale : 1:30  
Project : HP 1030 Layout and Accommodation  
Date : 2007.09.21  
Subject : General Arrangement  
Sign : J Viers/LTO/hjo